



e-ISSN: 2319-8753 | p-ISSN: 2347-6710

IJRSET

International Journal of Innovative Research in
SCIENCE | ENGINEERING | TECHNOLOGY



INTERNATIONAL JOURNAL OF INNOVATIVE RESEARCH

IN SCIENCE | ENGINEERING | TECHNOLOGY

Volume 13, Issue 4, April 2024

ISSN INTERNATIONAL
STANDARD
SERIAL
NUMBER
INDIA

Impact Factor: 8.423

9940 572 462

6381 907 438

ijirset@gmail.com

www.ijirset.com

Design and Development of Blind Turn Alert Signal

Snehal Raut, Sayali Jadhav, Yash Nikam

Department of electrical Engineering, Trinity College of Engineering and Research, Pune, India

ABSTRACT: This research paper presents the development and integration of a Blind Turn Alert System enhanced with GPS technology for improving road safety and driver awareness. Blind turns, characterized by limited visibility, pose significant risks to drivers and often lead to accidents. The proposed system aims to mitigate these risks by providing real-time location-based information about blind turns to drivers, enabling them to anticipate hazards and take preventive measures. The research begins with an introduction to the problem statement, highlighting the importance of addressing blind turn safety and the potential impact on road safety. Key motivations include reducing accidents, preventing injuries, and saving lives, particularly in challenging road environments such as mountainous routes and urban areas with sharp corners.

KEYWORDS: Microcontroller (Arduino Uno), LED, Ultrasonic sensors, Transformer, Power supply.

I. INTRODUCTION

Road safety is a paramount concern in modern transportation systems, with a particular focus on addressing challenges associated with blind turns. Blind turns, characterized by limited visibility and sharp angles, significantly increase the risk of accidents, especially in scenarios where drivers are unable to anticipate hazards in advance. The consequences of accidents at blind turns can be severe, leading to injuries, fatalities, and property damage. The motivation behind this research stems from the urgent need to enhance road safety measures, especially in areas prone to blind turns such as mountainous terrains, winding roads, and urban intersections. Existing solutions like warning signs and road markings provide limited assistance, often relying on driver attentiveness, which can be compromised in adverse weather conditions or challenging driving environments. The integration of GPS technology with blind turn alert systems represents a promising approach to address these safety concerns effectively. By leveraging GPS data to provide real-time location-based information, drivers can receive advanced warnings about upcoming blind turns, hazards, and changes in road conditions. This proactive approach empowers drivers to make informed decisions, adjust their driving behavior, and navigate challenging road segments with greater confidence and safety. Furthermore, advancements in sensor technologies, microcontroller systems, and human-machine interfaces have opened new possibilities for developing intelligent driver assistance systems. These systems not only detect hazards but also assist drivers in navigating complex road networks, optimizing routes, and ensuring compliance with safety guidelines. The objective of this research is to design, develop, and evaluate a robust Blind Turn Alert System integrated with GPS technology, considering factors such as accuracy, responsiveness, user interface design, and real-world applicability. By combining sensor data, GPS coordinates, and intelligent algorithms, the proposed system aims to significantly reduce the risk of accidents at blind turns, thereby contributing to overall road safety objectives. The outcomes of this research are expected to have far-reaching implications for automotive safety, transportation infrastructure planning, and the development of next-generation driver assistance technologies.

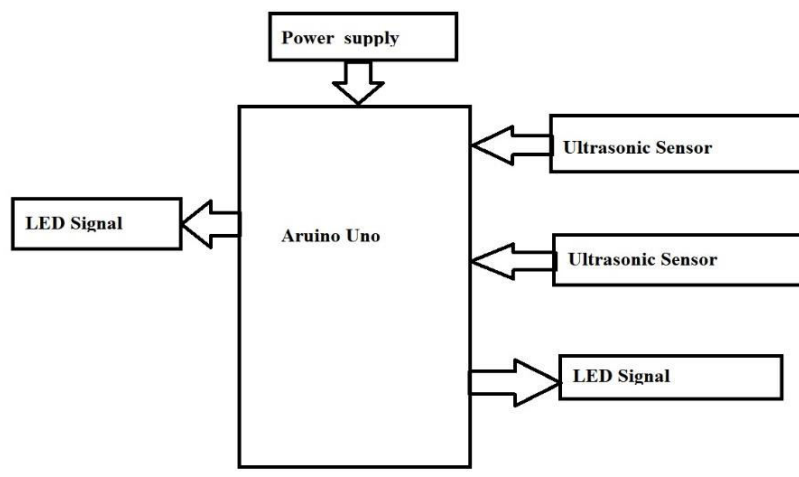
II. LITERATURE REVIEW

1. The research proposes a system based on ultrasonic sensors for vehicle detection and collision avoidance. Key findings include the effectiveness of ultrasonic sensors in detecting obstacles and improving driver safety.
2. This paper focuses on blind spot detection systems for safe driving. Findings include the importance of real-time alerts and visual indicators in enhancing driver awareness and reducing blind spot-related accidents.
3. The study presents a real-time traffic sign recognition and warning system for blind intersections. Key findings highlight the effectiveness of image processing techniques in recognizing traffic signs and providing timely warnings to drivers.
4. This research focuses on a blind spot detection system using Raspberry Pi and OpenCV. Findings include the feasibility of using Raspberry Pi for real-time image processing and blind spot monitoring in vehicles.

III. OBJECTIVE

1. Safety Enhancement: The primary objective could be to enhance road safety by providing advanced warning to drivers about blind turns, reducing the risk of accidents.
2. Real-Time Detection: Develop a system that can detect blind turns in real-time using sensors or cameras, ensuring timely alerts to drivers.
3. Customizability: Design the system to be adaptable to various road conditions and environments, allowing for customization based on different locations.
4. User-Friendly Interface: Create an intuitive interface for drivers to receive alerts, ensuring they can easily understand and respond to the warnings.
5. Integration: Explore options for integrating the blind turn alert system with existing vehicle technologies or navigation systems to enhance its effectiveness.

IV. BLOCK DIAGRAM & WORKING



The design methodology for the Blind Turn Alert System with GPS integration, based on its components, follows a structured approach to ensure functionality and effectiveness.

Firstly, the ultrasonic sensors are strategically placed at blind turn locations, calibrated to detect obstacles within their range. The sensor data acquisition is synchronized with the Arduino microcontroller, which processes the incoming signals using programmed algorithms. These algorithms are designed to interpret sensor readings, identify potential hazards such as vehicles or pedestrians, and trigger alerts when necessary. Simultaneously, the GPS module is integrated into the system to provide real-time location data, enabling the system to correlate hazard information with the vehicle's position. This integration enhances the accuracy of hazard detection and ensures that alerts are contextually relevant based on the vehicle's proximity to blind turns.

The LED indicators, part of the visual alert system, are connected to the microcontroller and activated based on the hazard detection algorithms. Green LEDs may indicate safe conditions, while red LEDs signal potential hazards ahead, providing clear visual cues to the driver.

The graphical user interface (GUI) serves as the primary interaction point for the driver, displaying hazard locations, GPS data, alert notifications, and driving instructions. The GUI design focuses on user-friendly visuals and intuitive controls, facilitating quick comprehension and response to alerts.

System integration and testing involve combining these components into a cohesive unit, verifying functionality, conducting performance tests under various scenarios (e.g., different road conditions, speeds), and refining algorithms or settings as needed. This iterative process ensures that the system operates reliably, accurately detects blind turn hazards, issues timely alerts, and supports driver decision-making for enhanced road safety.



V. METHODOLOGY

The methodology for developing the Blind Turn Alert System with GPS integration follows a systematic approach based on the block diagram components. Initially, the system design entails selecting and integrating essential components such as ultrasonic sensors, an Arduino microcontroller, a GPS module, LED indicators, and a graphical user interface (GUI). Sensor integration involves configuring ultrasonic sensors to detect obstacles at blind turns and connect them to the Arduino microcontroller for data processing. Concurrently, GPS integration includes setting up the GPS module to provide real-time location-based information and establishing communication with the microcontroller. Algorithm development focuses on creating logic for hazard detection using sensor data and GPS coordinates, ensuring accurate identification of blind turns and potential hazards. The software implementation phase involves programming the microcontroller with algorithms for hazard detection, alert generation, and GPS communication. Simultaneously, the GUI is designed to visualize hazard locations, display GPS data, issue alerts, and allow user interaction. System integration and testing encompass combining all components, conducting comprehensive testing to validate functionality, accuracy, real-time alerting, and user interface responsiveness. Performance evaluation assesses the system's effectiveness under diverse conditions, guiding optimization efforts for algorithm refinement, sensor configurations, alert thresholds, and user interface enhancements. Finally, documentation and reporting capture the entire development process, including design choices, implementation details, testing outcomes, optimization steps, and performance evaluations for future reference and dissemination.

VI. ARDUINO UNO CODE

```
#define trigPin 12 // Define Trig pin
#define echoPin 11 // Define Echo pin
#define redLED 10 // Define Red LED pin
#define greenLED 9 // Define Green LED pin

void setup() {
  pinMode(trigPin, OUTPUT); // Set Trig pin as OUTPUT
  pinMode(echoPin, INPUT); // Set Echo pin as INPUT
  pinMode(redLED, OUTPUT); // Set Red LED pin as OUTPUT
  pinMode(greenLED, OUTPUT); // Set Green LED pin as OUTPUT
  Serial.begin(9600); // Begin serial communication at 9600 baud rate
}

void loop() {
  long duration, distance; // Define variables to store the duration and distance

  digitalWrite(trigPin, LOW); // Clear the trigger pin
  delayMicroseconds(2);

  digitalWrite(trigPin, HIGH); // Send a 10 microsecond pulse to trigger pin
  delayMicroseconds(10);
  digitalWrite(trigPin, LOW);

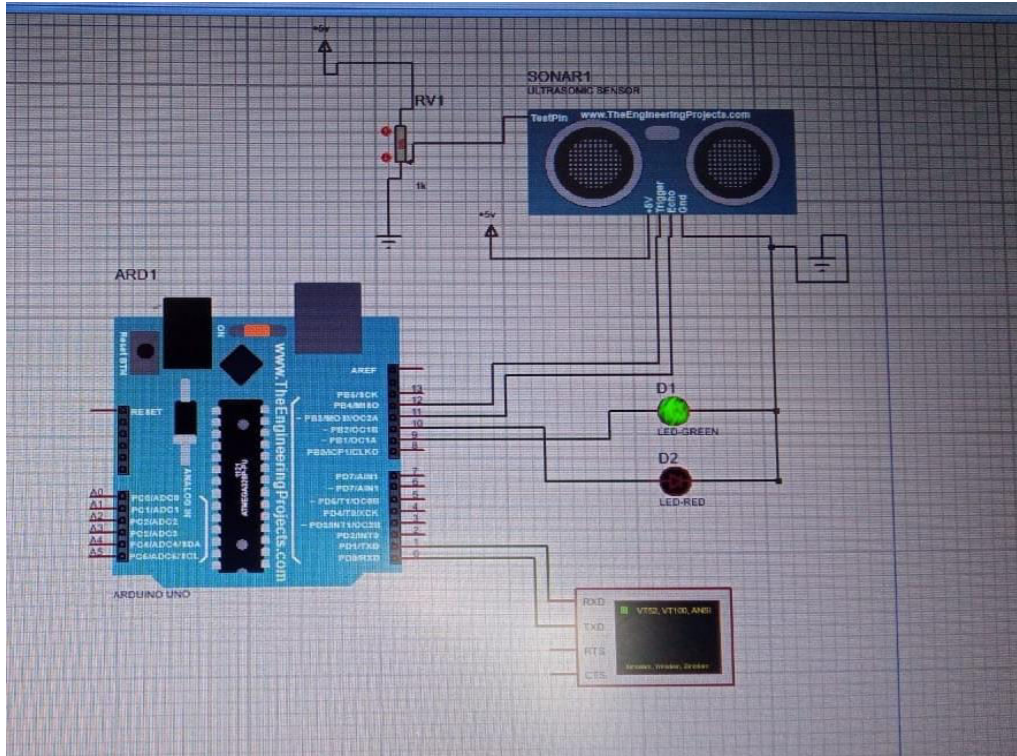
  duration = pulseIn(echoPin, HIGH); // Read the pulse duration from echo pin
  distance = (duration * 0.034) / 2; // Calculate distance in cm

  Serial.print("Distance: ");
  Serial.println(distance); // Print the distance to the serial monitor

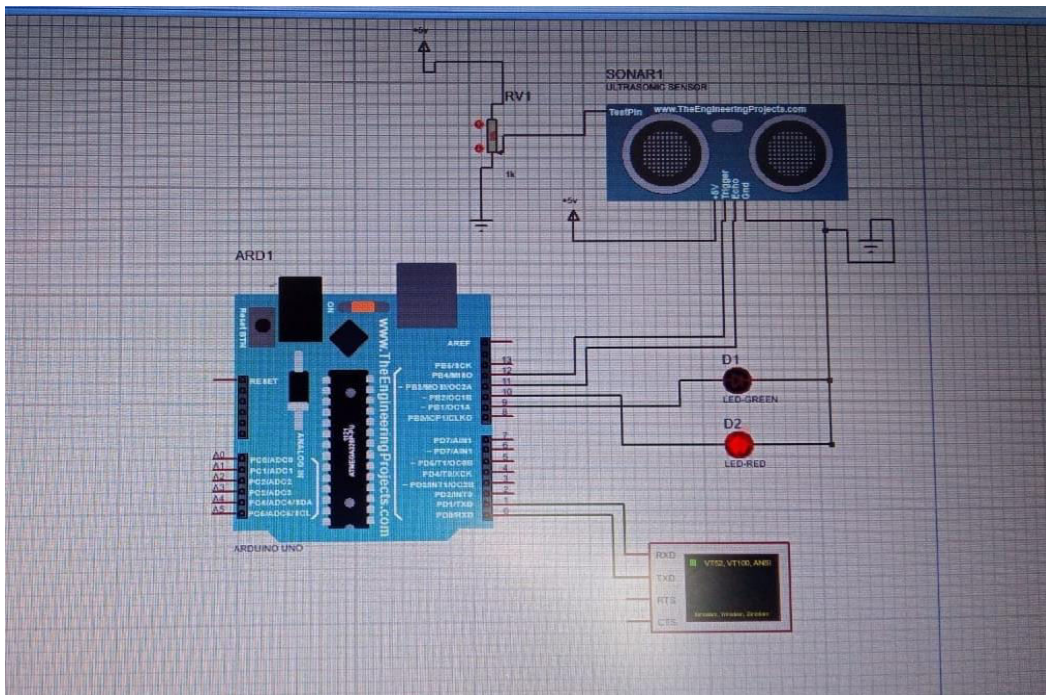
  if (distance < 5) {
    digitalWrite(redLED, HIGH); // Turn on red LED
    digitalWrite(greenLED, LOW); // Turn off green LED
  } else {
    digitalWrite(redLED, LOW); // Turn off red LED
    digitalWrite(greenLED, HIGH); // Turn on green LED
  }

  delay(100); // Wait for 100 milliseconds before taking the next reading
}
```

VII. SIMULATION & RESULT



Result 1:- When vehicle is not present then green LED glows



Result 2:- When vehicle is present then red LED glows

VIII. CONCLUSION

In conclusion, the blind turn alert system project represents a significant advancement in road safety technology, particularly for challenging road environments like mountainous routes, urban areas with sharp corners, and industrial sites. By leveraging ultrasonic sensors, Arduino Uno microcontroller, and LED indicators, the system effectively detects potential hazards at blind turns and provides timely alerts to drivers, enhancing their awareness and reducing the risk of accidents. The project's advantages lie in its ability to enhance road safety, improve driver awareness, offer customizable hazard detection thresholds, and provide timely warnings. However, it is crucial to address potential limitations such as sensor accuracy, detection range, and environmental influences to ensure optimal system performance. Overall, the blind turn alert system project showcases the integration of innovative technology to mitigate road hazards, making roads safer for drivers, pedestrians, and vehicles. Continued development and refinement of such systems can contribute significantly to overall road safety initiatives and accident prevention strategies.

IX. HARDWARE

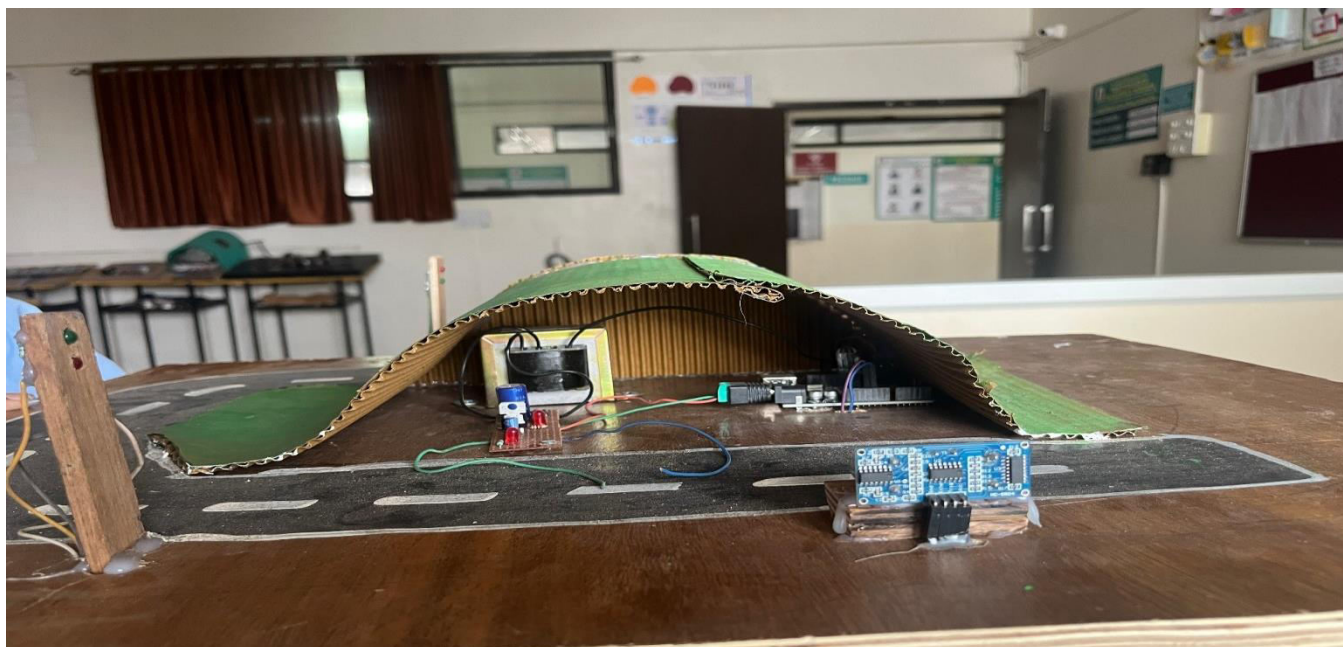


Fig 2- Hardware Model of smart energy

REFERENCES

1. L. Chen et al., "Vehicle Detection and Collision Avoidance System Based on Ultrasonic Sensors," IEEE Access, vol. 8, pp. 52768-52778, 2020.
2. S. Kim and S. Lee, "Development of Blind Spot Detection System for Safe Driving," International Journal of Automotive Technology, vol. 21, no. 5, pp. 1075-1082, 2020.
3. D. R. Patel and K. S. Jadhav, "Design and Development of Ultrasonic Blind Spot Detection System," International Journal of Engineering and Innovative Technology, vol. 2, no. 5, pp. 78-83, 2013.
4. H. Zhang and X. Wang, "Research on Blind Turn Warning System Based on DSRC Technology," Procedia Computer Science, vol. 167, pp. 1226-1233, 2020.
5. J. K. Sethi and S. K. Rana, "Development of Blind Spot Detection System for Automotive Applications," International Journal of Innovative Research in Science, Engineering, and Technology, vol. 7, no. 6, pp. 9835-9843, 2018.
6. Y. Li et al., "Real-Time Traffic Sign Recognition and Warning System for Blind Intersections," IEEE Transactions on Intelligent Transportation Systems, vol. 20, no. 6, pp. 2153-2165, 2019.
7. A. Kumar and S. Aggarwal, "Smart Blind Spot Detection System Using IoT and Machine Learning," International Journal of Advanced Research in Computer Science, vol. 11, no. 3, pp. 87-93, 2020.



INTERNATIONAL
STANDARD
SERIAL
NUMBER
INDIA



INTERNATIONAL JOURNAL OF INNOVATIVE RESEARCH

IN SCIENCE | ENGINEERING | TECHNOLOGY

 9940 572 462  6381 907 438  ijirset@gmail.com



www.ijirset.com

Scan to save the contact details